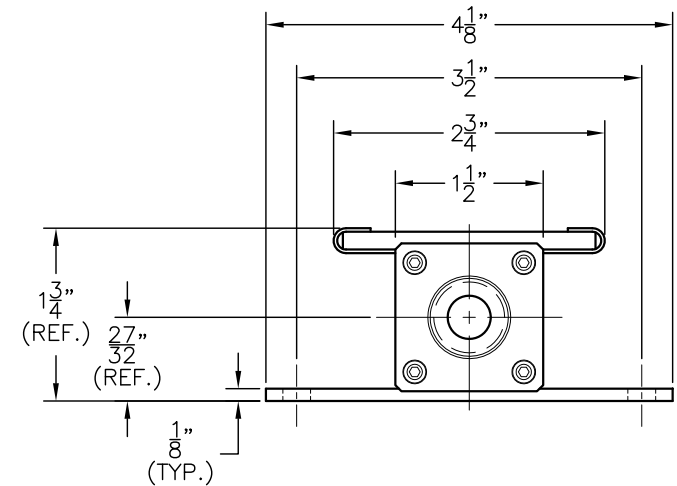
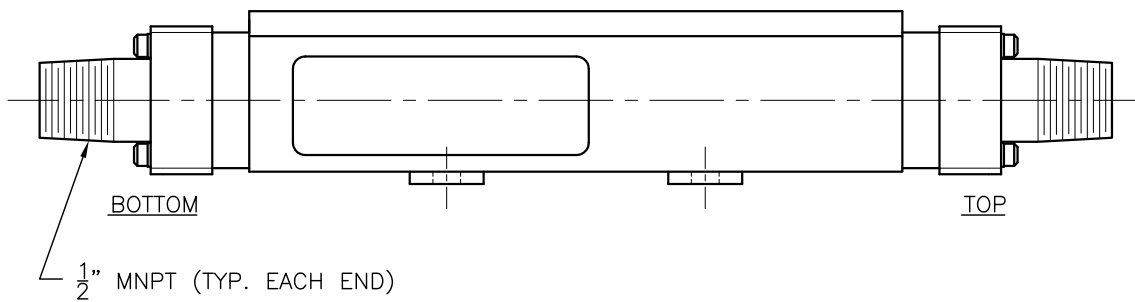


WETTED MATERIALS:

- PVC GAUGE CONNECTION
- SIGHT TUBE
- SIGHT TUBE O-RING SEALS
- SIGHT TUBE SPLICER BODY (IF APPLICABLE)
- TEFLON CUSHION IN LOW PRESSURE SIGHT TUBE SPLICER (IF APPLICABLE)

***GAUGE FRAME LENGTH NOTE:**

FRAME LENGTHS GREATER THAN 76" ARE EQUIPPED WITH ADDITIONAL MOUNTING PLATES.



INFORMATION IS PROPRIETARY TO KENCO ENGINEERING CO.

TOLERANCES UNLESS OTHERWISE SPECIFIED
 DECIMAL: ± 0.005 " FRACTIONAL: $\pm 1/64$ " ANGULAR: $\pm 1/2$ "

KENCO ENGINEERING COMPANY
 TULSA, OKLAHOMA

GAUGE, BULK TANK MODEL 5700 PVC SERIES
 WITH MNPT PROCESS CONNECTIONS

DATE: 06-23-94 SHEET: 1 OF 2 DRAWING NUMBER
 DRN. BY: RB CHKD. BY: C-23750
 SCALE: NONE REVISION: E

REV.	DATE	BY	CHKD.	ECN	EXPLANATION:
B	09-21-95	TW		N/A	ITEM 8 C-25308 REPLACED A-10401 AND C-25962 REPLACED A-6378 AND A-6827
C	07-22-96	TW		N/A	ITEM 2 PART NO. WAS A-23724
D	03-23-05	DS		N/A	REDRAWN; RESEQUENCED BOM; ITEM 2 P/N WAS A-27941, REMOVED RETAINER WIRE P/N P-15759
E	02-17-12	PAS	DS	000133	ADDED SHEET 2; ADDED ORDERING GUIDE NOTE TO SHEET 2