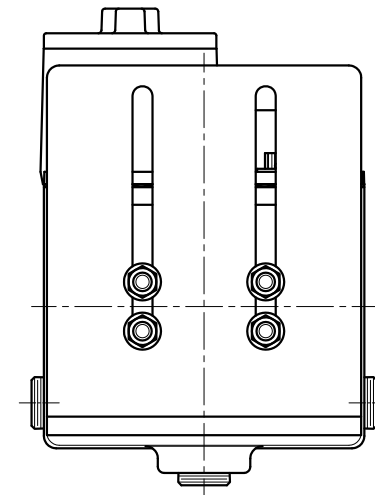
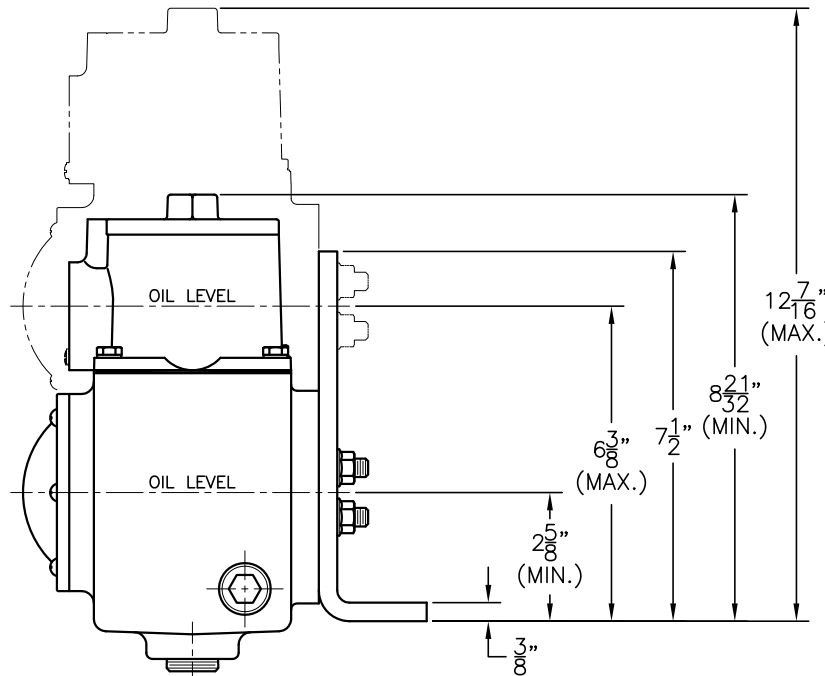
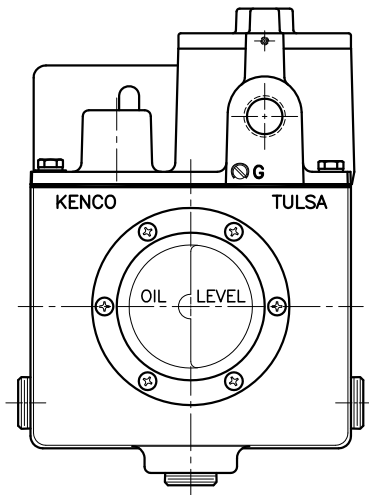


MODEL KLCE-9
MODEL KLCE-DPDT-9
MODEL KES-9
MODEL KES-DPDT-9
MODEL KHL-9
MODEL KHL-DPDT-9

MODEL KHL-ES-9
MODEL KHL-ES-DPDT-9
MODEL KSHL-9
MODEL KSHL-ES-9
MODEL KSSL-9
MODEL KSSL-ES-9

GENERAL NOTES:

1. FOR DETAILED DIMENSIONS OF CONTROLLER, REFER TO KLCE OUTLINE DRAWING.
2. MODELS KES-9, KES-DPDT-9, KHL-ES-9, KHL-ES-DPDT-9, KSHL-ES-9 AND KSSL-ES-9 ARE ELECTRIC OIL LEVEL SWITCHES ONLY AND HAVE NO OIL INLET CONNECTION AND NO OIL LEVEL CONTROLLER FUNCTION.



DIMENSIONAL NOTE: ALL DIMENSIONS ARE FOR REFERENCE PURPOSES ONLY AND ARE SUBJECT TO CHANGE AT ANY TIME WITHOUT NOTICE.

INFORMATION IS PROPRIETARY TO KENCO ENGINEERING CO.

REV.	DATE	BY	CHKD.	ECN	EXPLANATION:
A	10-12-11	DS	PAS	N/A	UPDATED TO REFLECT CASTING CHANGES
B	02-01-19	RDM	KLM	N/A	REDRAWN; MTG. BRACKET WAS 0.1793" THK.

KENCO ENGINEERING COMPANY
 TULSA, OKLAHOMA

CONTROLLER/SWITCH, OIL LEVEL MODEL KLCE, KLCE-DPDT, KES, KES-DPDT, KHL, KHL-DPDT, KHL-ES, KHL-ES-DPDT, KSHL, KSHL-ES, KSSL AND KSSL-ES WITH TYPE 9 MOUNTING ADAPTER

DATE: 02-03-03 SHEET: 1 OF 1 DRAWING NUMBER
 DRN. BY: DS CHKD. BY: UNK
 SCALE: NONE REVISION: B C-44725