

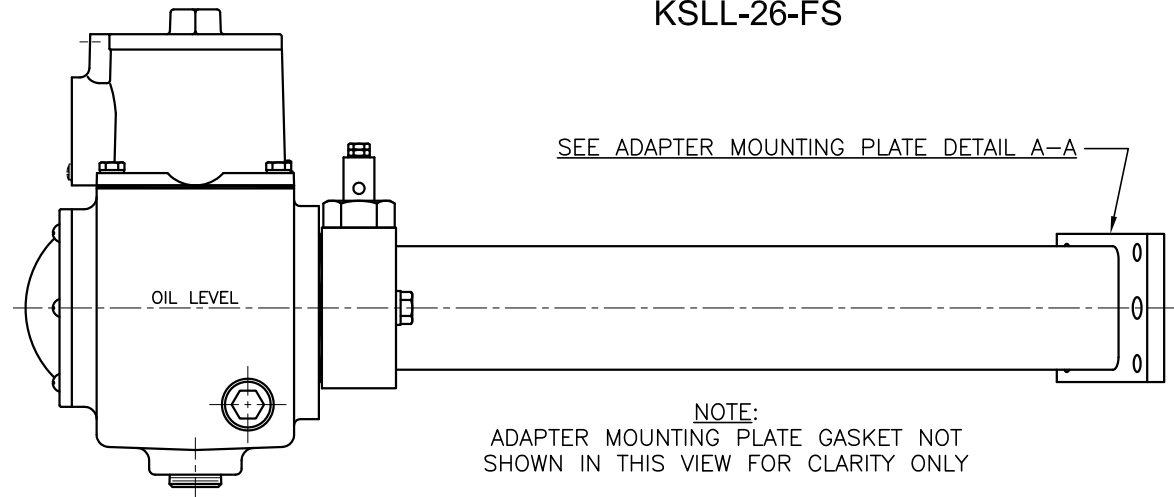
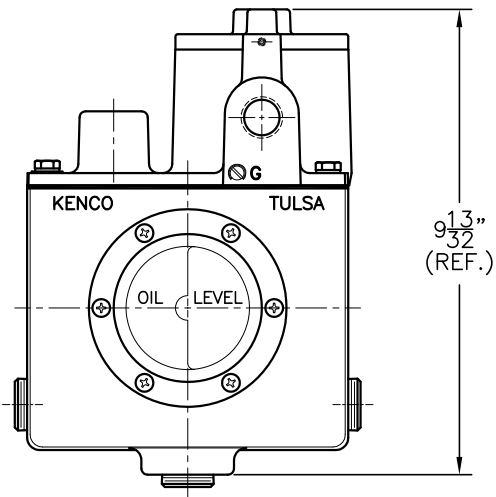
ADAPTER MOUNTING PLATE DETAIL A-A

SUPPLIED BUT NOT SHOWN:
50-KFS FIRE SAFE VALVE
(NOTE: NOT SUPPLIED IF ORDERED WITH "FSN50" OPTION)

DIMENSIONAL NOTE:
FOR DETAIL DIMENSIONS OF OIL LEVEL CONTROLLER, REFER TO KLCE OUTLINE DRAWING

MODELS ILLUSTRATED:

- KLCE-26-FS
- KLCE-DPDT-26-FS
- KHL-26-FS
- KHL-DPDT-26-FS
- KSHL-26-FS
- KSLL-26-FS



DIMENSIONS ARE FOR REFERENCE PURPOSES ONLY AND ARE SUBJECT TO CHANGE AT ANY TIME WITHOUT NOTICE. INFORMATION IS PROPRIETARY TO KENCO ENGINEERING CO.

**FOR ARIEL CORPORATION COMPRESSORS:
KBU (2/4/6 CYLINDER) AND KBZ (2/4/6 CYLINDER)**

REV.	DATE	BY	CHKD.	ECN	EXPLANATION:

KENCO ENGINEERING COMPANY
TULSA, OKLAHOMA

CONTROLLER, OIL LEVEL (OUTLINE DRAWING)
KLCE/KHL/KSHL/KSLL TYPE 26-FS ADAPTER

DATE: 03-22-16 SHEET: 1 OF 2 DRAWING NUMBER
DRN. BY: RDM CHKD. BY: KLM
SCALE: 1/2"=1" REVISION: C-75700