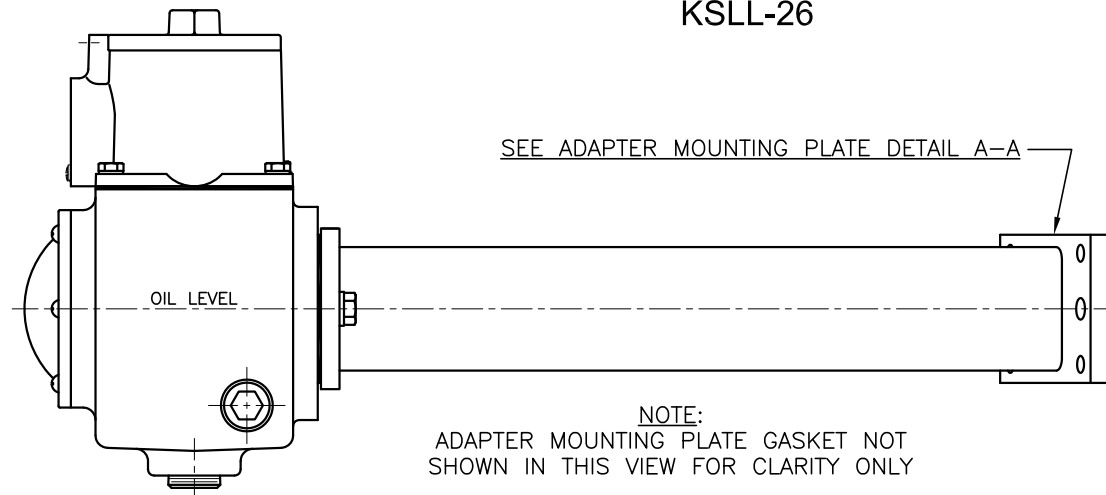
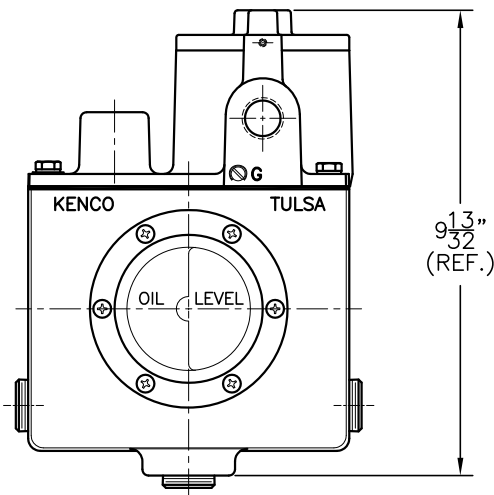


ADAPTER MOUNTING PLATE DETAIL A-A

DIMENSIONAL NOTE:
FOR DETAIL DIMENSIONS OF OIL
LEVEL CONTROLLER, REFER TO
KLCE OUTLINE DRAWING

MODELS ILLUSTRATED:

- KLCE-26
- KLCE-DPDT-26
- KHL-26
- KHL-DPDT-26
- KSHL-26
- KSLL-26



NOTE:
ADAPTER MOUNTING PLATE GASKET NOT
SHOWN IN THIS VIEW FOR CLARITY ONLY

DIMENSIONS ARE FOR REFERENCE PURPOSES ONLY AND
ARE SUBJECT TO CHANGE AT ANY TIME WITHOUT NOTICE.
INFORMATION IS PROPRIETARY TO KENCO ENGINEERING CO.

**FOR ARIEL CORPORATION COMPRESSORS:
KBU (2/4/6 CYLINDER) AND KBZ (2/4/6 CYLINDER)**

REV.	DATE	BY	CHKD.	ECN	EXPLANATION:

KENCO ENGINEERING COMPANY
TULSA, OKLAHOMA

CONTROLLER, OIL LEVEL (OUTLINE DRAWING)
KLCE/KHL/KSHL/KSLL TYPE 26 ADAPTER

DATE: 03-23-16 SHEET: 1 OF 2 DRAWING NUMBER
DRN. BY: RDM CHKD. BY: KLM C-75699
SCALE: 1/2"=1" REVISION: