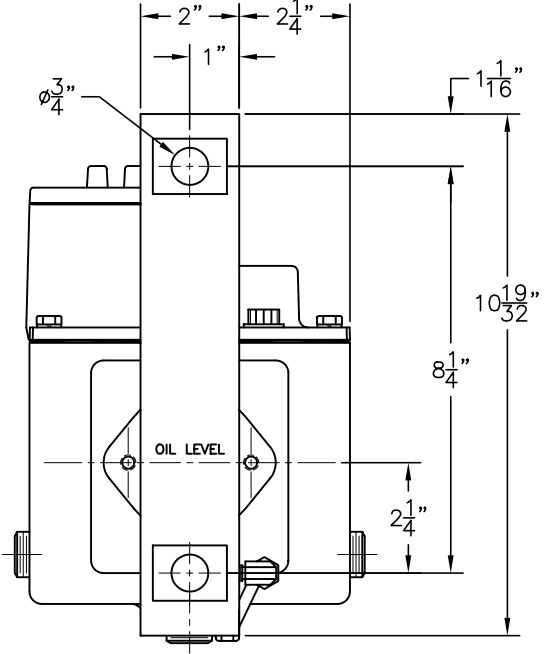
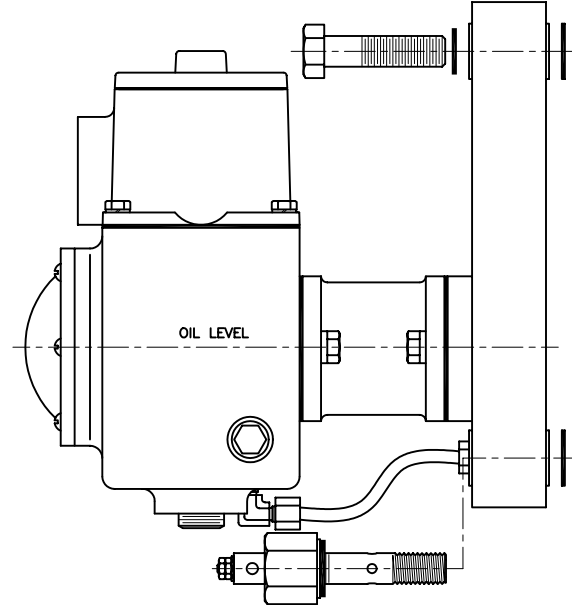
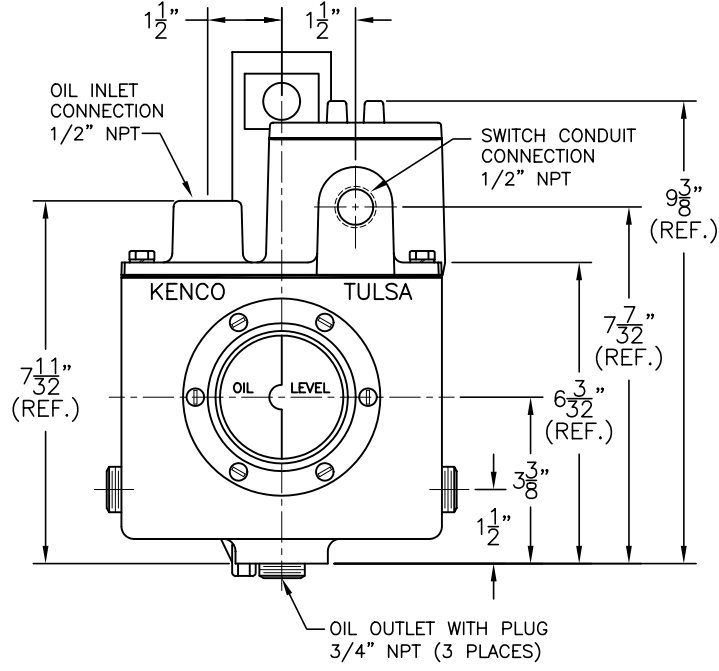


MODEL 50-FS:
 A-1/2" NPT
 B-5/8"
 C-1-1/4"
 D-1-9/16"
 E-3-1/8"
 F-3-15/16"

MODEL KLCE-7-FS
MODEL KLCE-DPDT-7-FS
MODEL KHL-7-FS
MODEL KHL-DPDT-7-FS
MODEL KSHL-7-FS
MODEL KSLI-7-FS



DIMENSION ARE FOR REFERENCE PURPOSES ONLY AND ARE SUBJECT TO CHANGE AT ANY TIME WITHOUT NOTICE.
 COPYRIGHT © 2003-KENCO INTERNATIONAL, INC.-ALL RIGHTS RESERVED

REV.	DATE	BY	ECN	EXPLANATION:

KENCO ENGINEERING COMPANY TULSA, OKLAHOMA			
CONTROLLER, OIL LEVEL WITH MOUNT (OUTLINE DRAWING) MODEL KLCE-7-FS			
DATE: 02-03-03	SHEET: 1 OF 1	DRAWING NUMBER	
DRN. BY: DS	CHKD. BY:	C-44724	
SCALE: NONE	REVISION:		