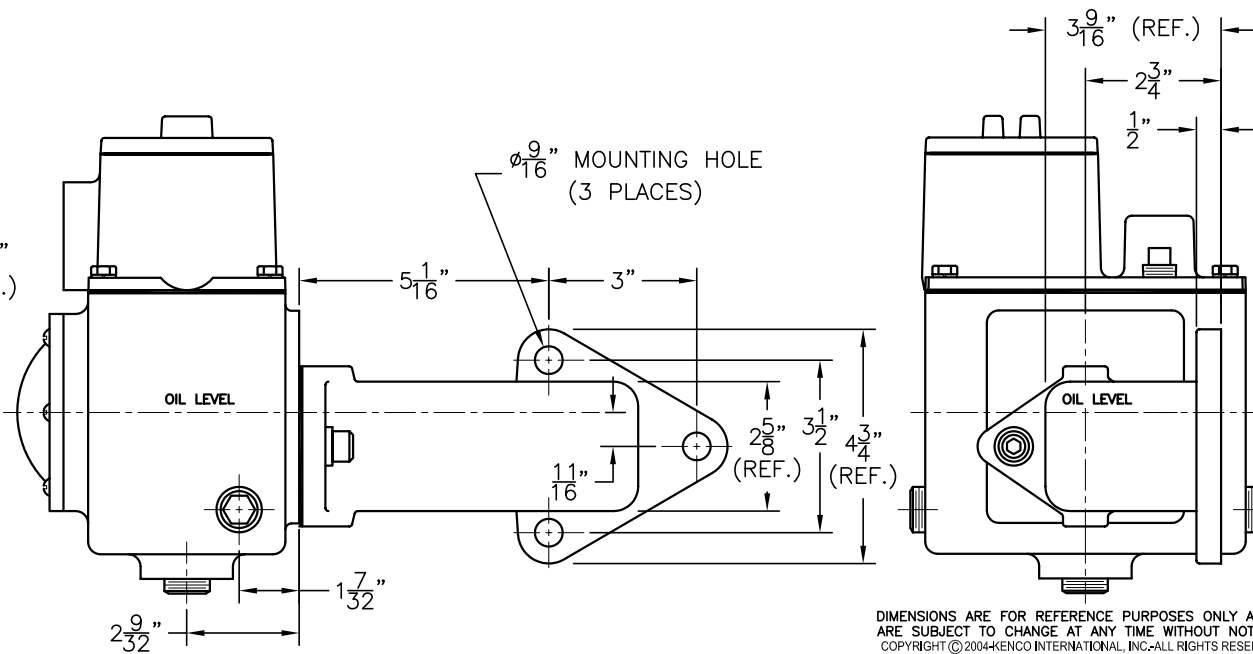


MODEL KLCE-14
 MODEL KLCE-DPDT-14
 MODEL KHL-14
 MODEL KHL-DPDT-14
 MODEL KSHL-14
 MODEL KSSL-14



DIMENSIONS ARE FOR REFERENCE PURPOSES ONLY AND
 ARE SUBJECT TO CHANGE AT ANY TIME WITHOUT NOTICE.
 COPYRIGHT © 2004 KENCO INTERNATIONAL, INC. ALL RIGHTS RESERVED

REV.	DATE	BY	ECN	EXPLANATION:
A	01-21-04	DS	N/A	CL OF MTG. ADAPTER WAS 1/4" BELOW OIL LEVEL; 3/8" PIPE PLUG WAS SHOWN AS A VENT PLUG; MTG. ADAPTER WAS SHOWN BACKWARDS IN BACK VIEW; UP- DATED MISC. REF. DIMS. ON CONTROLLER HOUSING

KENCO ENGINEERING COMPANY TULSA, OKLAHOMA		
CONTROLLER, OIL LEVEL WITH MOUNT (OUTLINE DRAWING) MODEL KLCE-14		
DATE: 02-03-03 DRN. BY: DS SCALE: NONE	SHEET: 1 OF 1 CHKD. BY: REVISION: A	DRAWING NUMBER C-44733