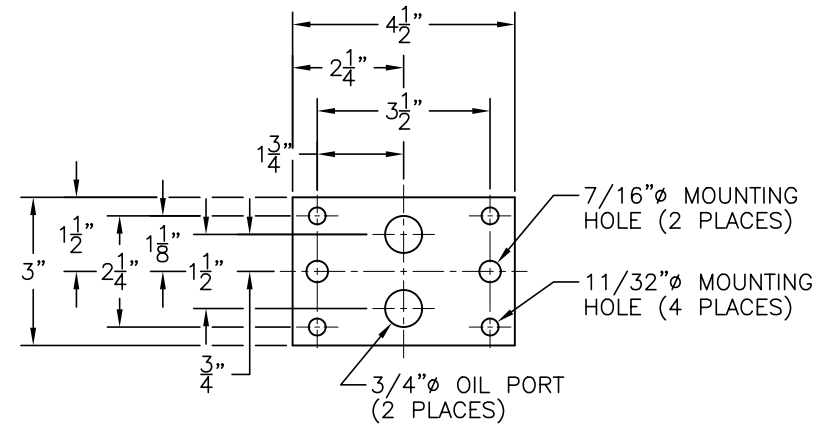


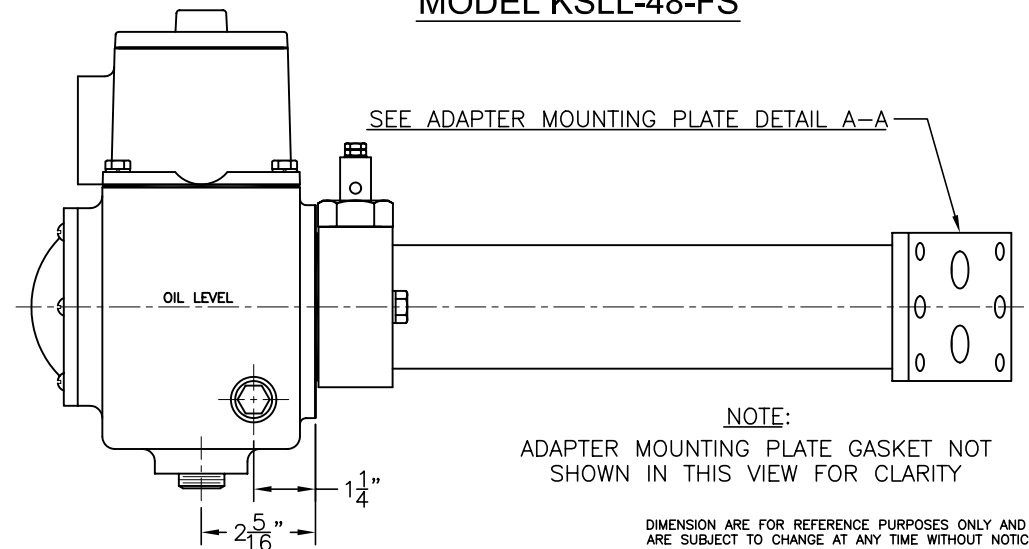
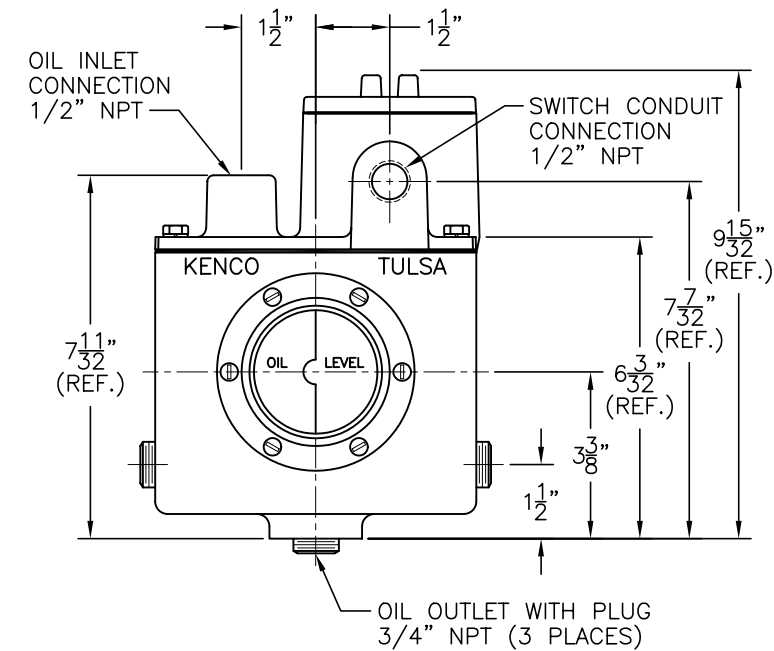
FIRE SAFE VALVE

- MODEL 50-FS:
 A-1/2" NPT
 B-5/8"
 C-1-1/4"
 D-1-9/16"
 E-3-1/8"
 F-3-15/16"



ADAPTER MOUNTING PLATE DETAIL A-A

- MODEL KLCE-48-FS
 MODEL KLCE-DPDT-48-FS
 MODEL KHL-48-FS
 MODEL KHL-DPDT-48-FS
 MODEL KSHL-48-FS-FS
 MODEL KSLL-48-FS



NOTE:
 ADAPTER MOUNTING PLATE GASKET NOT SHOWN IN THIS VIEW FOR CLARITY

DIMENSION ARE FOR REFERENCE PURPOSES ONLY AND ARE SUBJECT TO CHANGE AT ANY TIME WITHOUT NOTICE.
 COPYRIGHT © 2003-KENCO INTERNATIONAL, INC.-ALL RIGHTS RESERVED

REV.	DATE	BY	ECN	EXPLANATION:	KENCO ENGINEERING COMPANY TULSA, OKLAHOMA
					DATE: 02-04-03 SHEET: 1 OF 1 DRAWING NUMBER
					DRN. BY: DS CHKD. BY: C-44744
					SCALE: NONE REVISION: