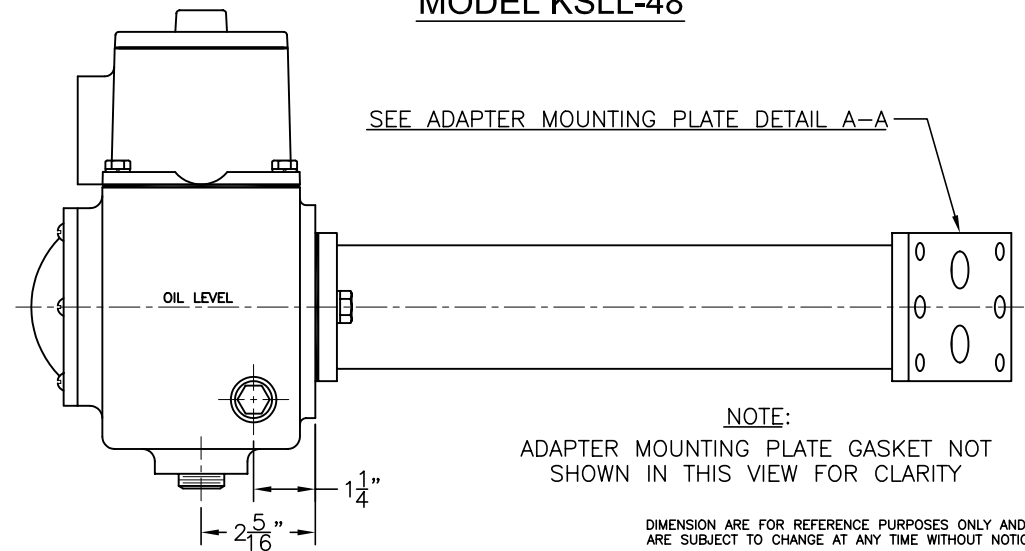
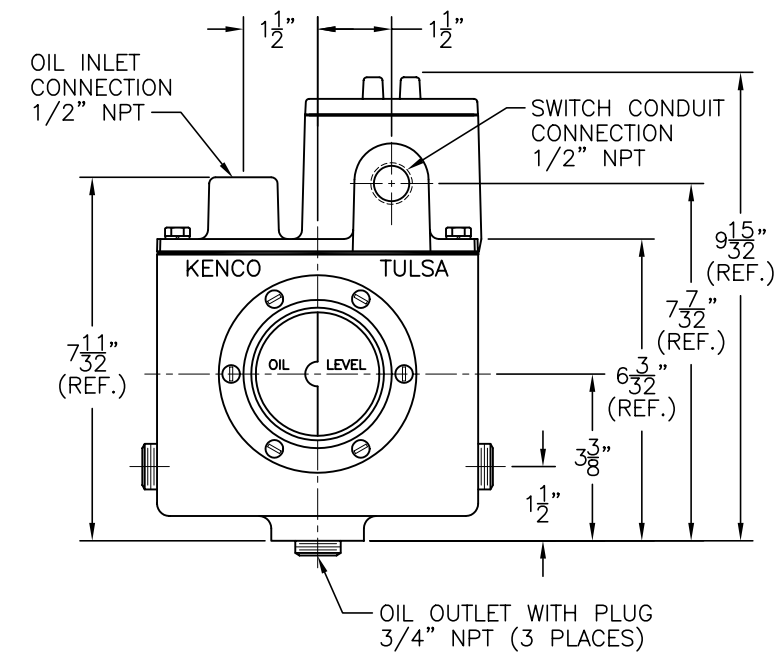


ADAPTER MOUNTING PLATE DETAIL A-A

- MODEL KLCE-48
- MODEL KLCE-DPDT-48
- MODEL KHL-48
- MODEL KHL-DPDT-48
- MODEL KSHL-48
- MODEL KSLL-48



NOTE:
ADAPTER MOUNTING PLATE GASKET NOT SHOWN IN THIS VIEW FOR CLARITY

DIMENSION ARE FOR REFERENCE PURPOSES ONLY AND ARE SUBJECT TO CHANGE AT ANY TIME WITHOUT NOTICE.
COPYRIGHT © 2003-KENCO INTERNATIONAL, INC.-ALL RIGHTS RESERVED

REV.	DATE	BY	ECN	EXPLANATION:

KENCO ENGINEERING COMPANY TULSA, OKLAHOMA		
CONTROLLER, OIL LEVEL WITH MOUNT (OUTLINE DRAWING) MODEL KLCE-48		
DATE: 02-04-03	SHEET: 1 OF 1	DRAWING NUMBER
DRN. BY: DS	CHKD. BY:	C-44743
SCALE: NONE	REVISION:	