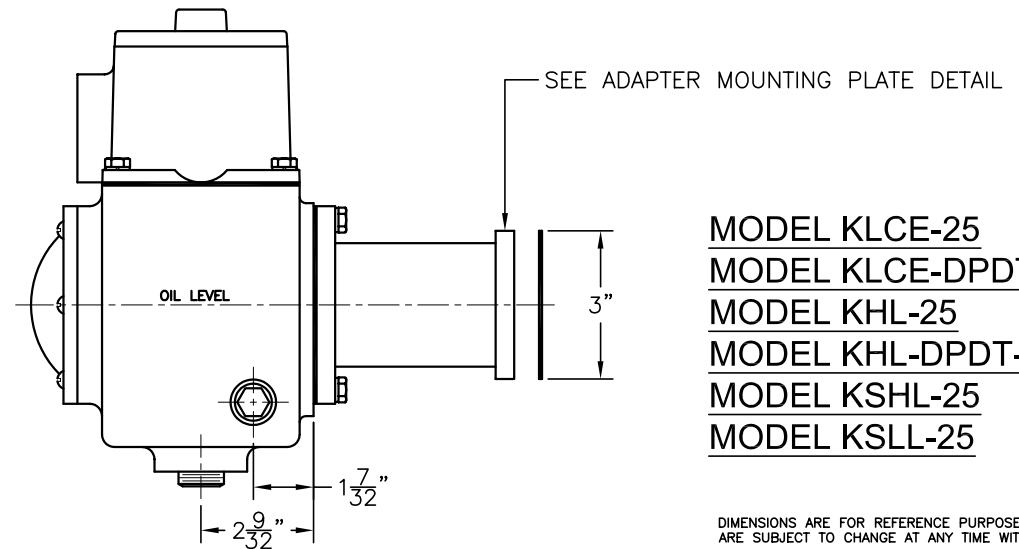
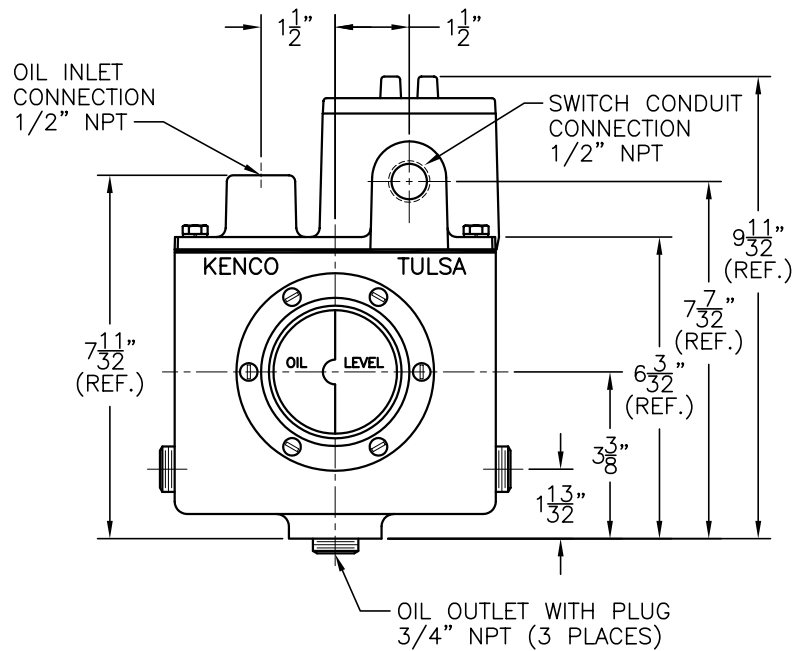


ADAPTER MOUNTING PLATE DETAIL



- MODEL KLCE-25
- MODEL KLCE-DPDT-25
- MODEL KHL-25
- MODEL KHL-DPDT-25
- MODEL KSHL-25
- MODEL KSLI-25

DIMENSIONS ARE FOR REFERENCE PURPOSES ONLY AND ARE SUBJECT TO CHANGE AT ANY TIME WITHOUT NOTICE. COPYRIGHT © 2003-KENCO INTERNATIONAL, INC.-ALL RIGHTS RESERVED

FOR ARIEL CORPORATION COMPRESSORS:
JGU/4, JGU/6, JGZ/4 & JGZ/6

REV.	DATE	BY	ECN	EXPLANATION:	KENCO ENGINEERING COMPANY TULSA, OKLAHOMA
A	10-21-03	RDM	N/A	4-1/16" (REF.) WAS 3-9/16" (REF.); REMOVED KENCO MODEL 50-FS FROM DRAWING	
					DATE: 10-06-03 SHEET: 1 OF 1 DRAWING NUMBER
					DRN. BY: DS CHKD. BY: C-45933
					SCALE: NONE REVISION: A